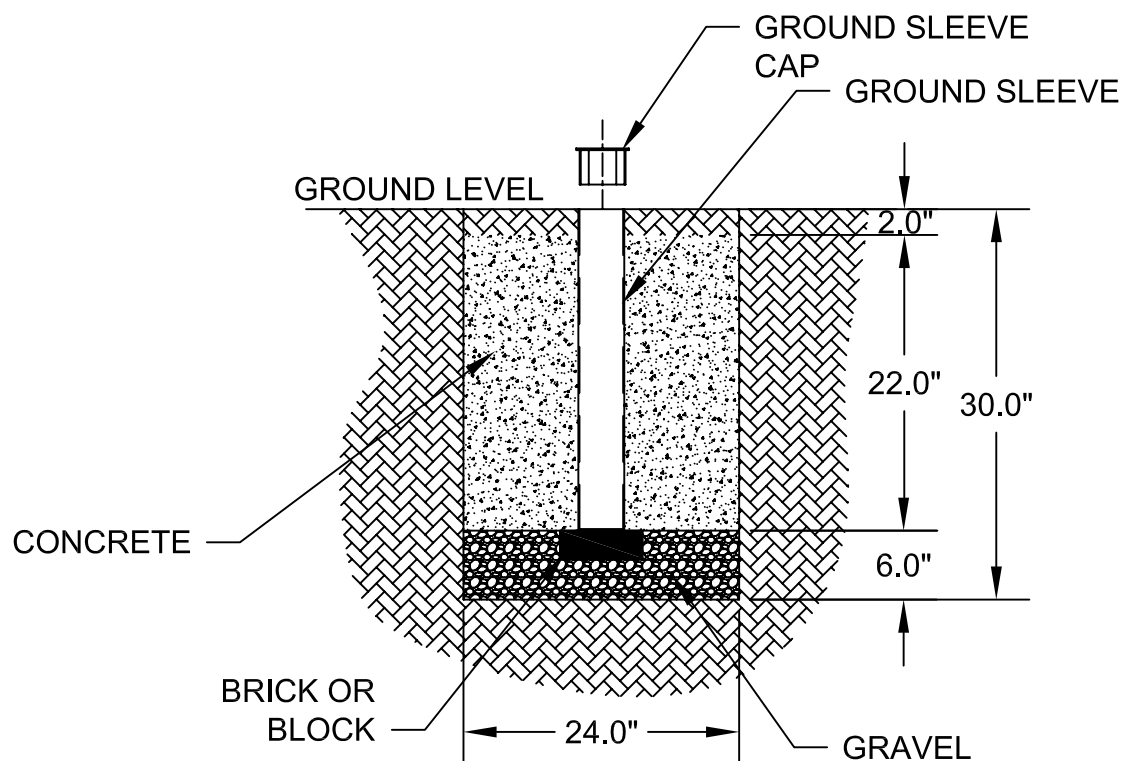


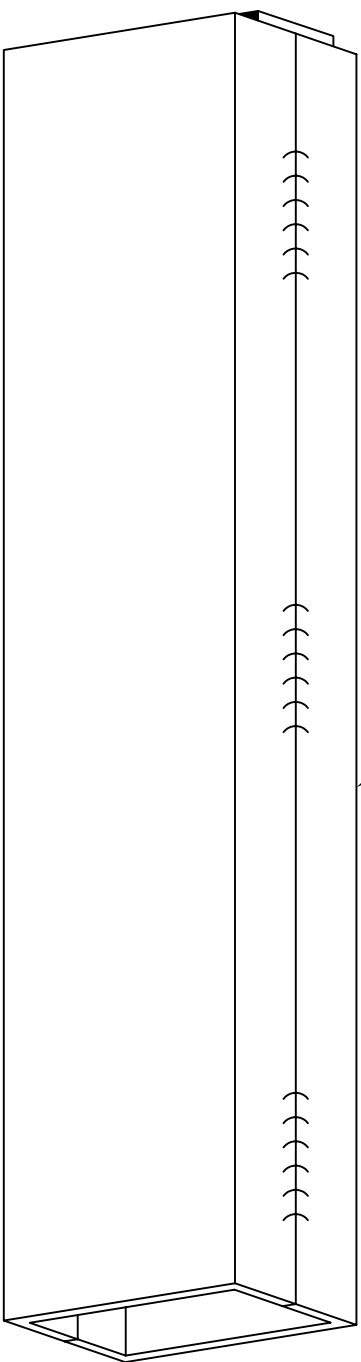
# GROUND SLEEVE INSTALLATION

**NOTE:** These instructions are simply a general guide, a local professional should be contacted familiar with the soil conditions in your area.

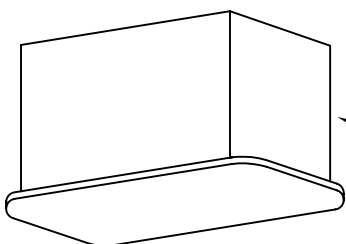
## INSTALLATION:

1. Locate the placement for the Ground Sleeves.  
*(Location must be doubled checked for accuracy)*
2. Dig holes, 24" square and 30" deep, as shown.
3. Add approximately 6" gravel and a brick or block in the bottom to prevent Sleeve from later sinking and to add more stability.
4. Set the Ground Sleeve in the hole- flush with ground level.
5. Support in place, ensuring that the Ground Sleeve is properly plumbed.
6. Pour concrete to within 2.0" of the top of the Ground Sleeve and allow to cure properly before using.  
*(Keep Ground Sleeve Cap on during this to prevent concrete from entering Ground Sleeve)*





SEE 1308082 - 2



SEE 1308082 - 1

**TOLERANCE**

.X = ±.030  
 .XX = ±.010  
 .XXX = ±.005  
 FRACTIONAL = ± 1/32  
 UNLESS OTHERWISE NOTED

REV:

DATE:

REF:



1901 Diplomat Drive  
 Farmers Branch, Texas 75234

DRAWN

Z. OSORIO

7/10

CHECKED

APPROVED

TITLE

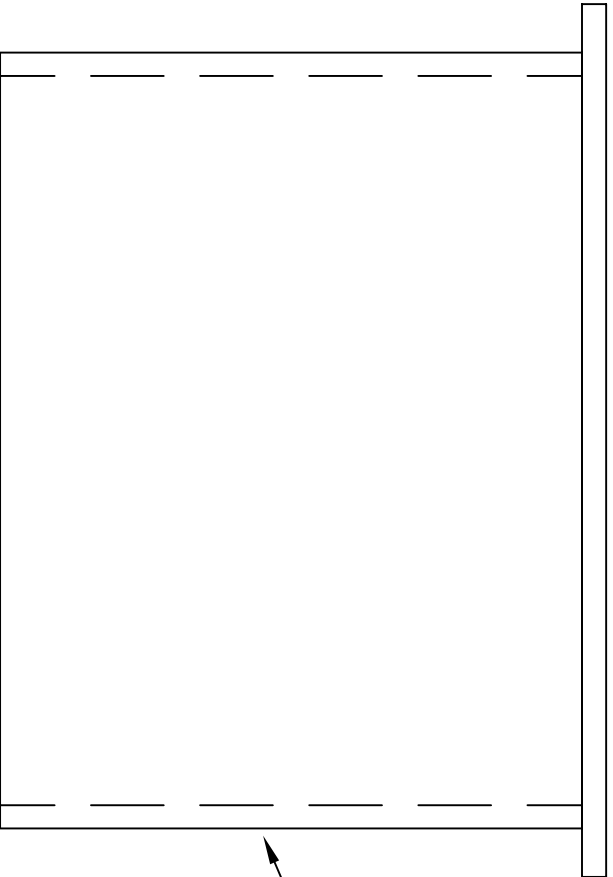
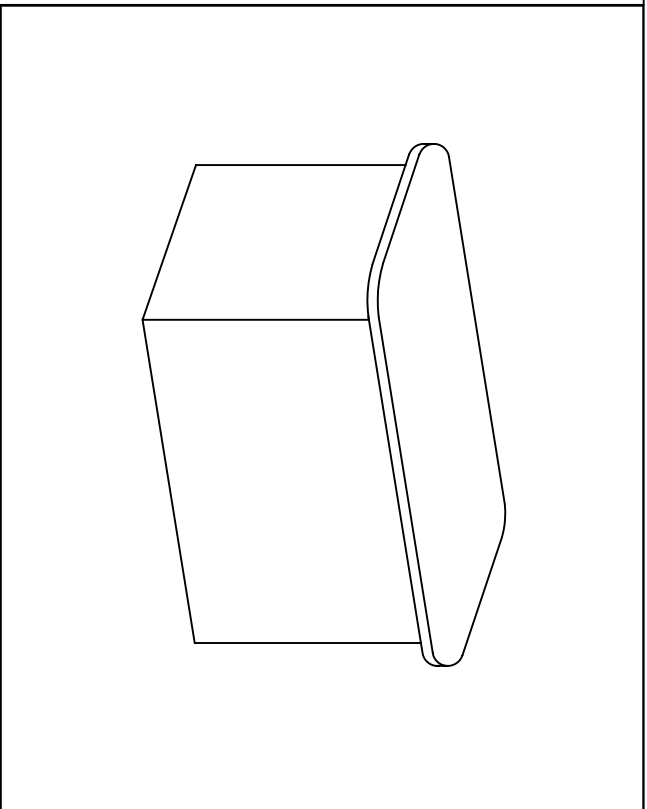
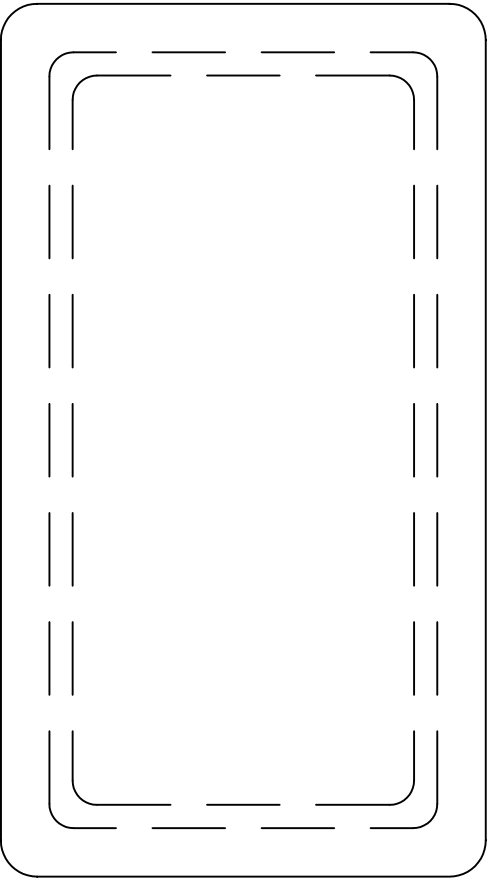
SCALE:  
 NTS

NUMBER

1308082

**NOTES:**

1) PACKAGE 4 SLEEVES W/ CAPS PER CARTON

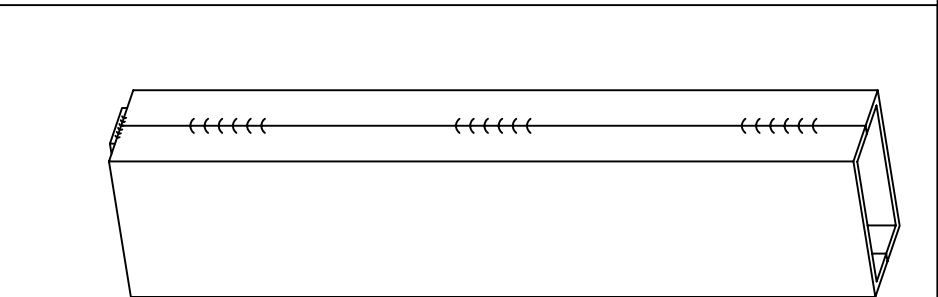
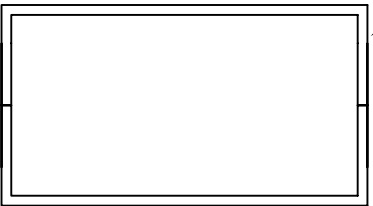
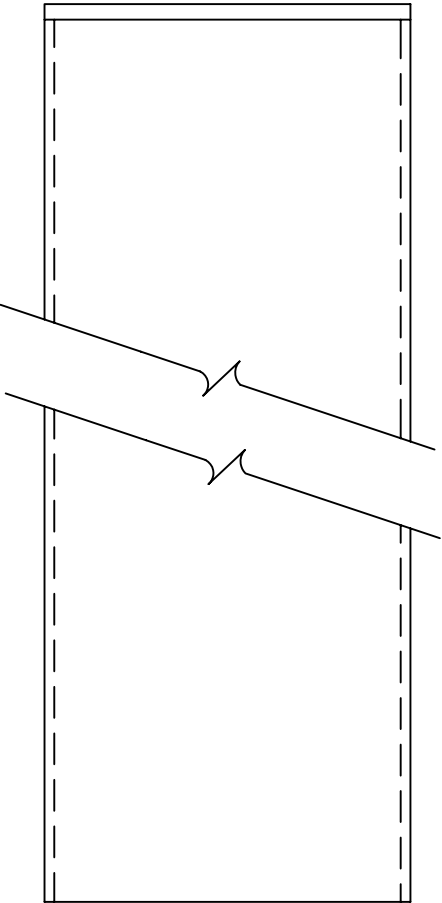
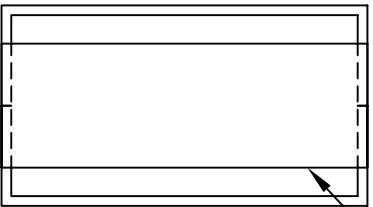


SEE Z027254512

SEE 1308082 - 3

<p>TOLERANCE          .X = ± 0.30          .XX = ± 0.10          .XXX = ± 0.05          FRACTIONAL = ± 1/32          UNLESS OTHERWISE NOTED</p>		<p><b>SPURD</b>          1901 Diplomat Drive          Farmers Branch, Texas 75234</p>	
REF:	DATE:	DRAWN:	ZOSORIO
REV:		CHECKED:	
		APPROVED:	
TITLE		SLEEVE CAP	
SCALE:	NUMBER		
N.T.S.	1308082 - 1		

NOTES:  
 1) HOT DIP GALVANIZE AFTER FABRICATION



.187 x 1.5 FLAT STOCK

SEE Z1472X4X24  
(2)

**TOLERANCE**

.X = ±.030  
.XX = ±.010  
.XXX = ±.005

FRACTIONAL = ± 1/32

UNLESS OTHERWISE NOTED



1901 Diplomat Drive  
Farmers Branch, Texas 75234

DRAWN

Z. OSORIO

7/10

CHECKED

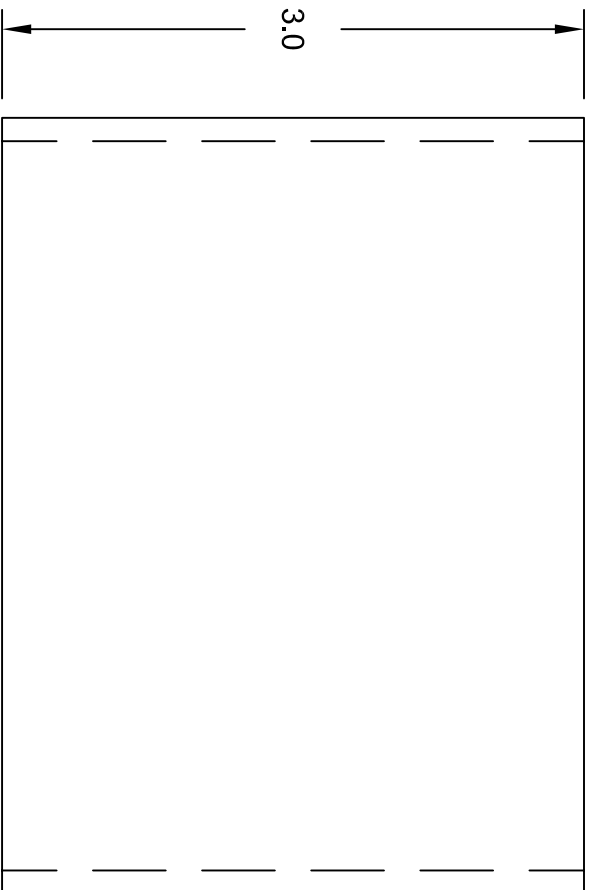
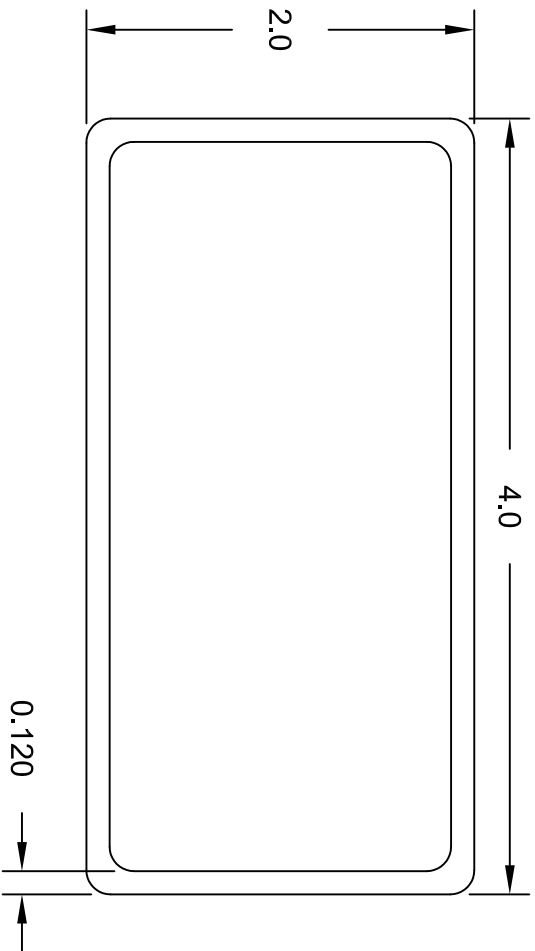
APPROVED

TITLE

**NOTES:**

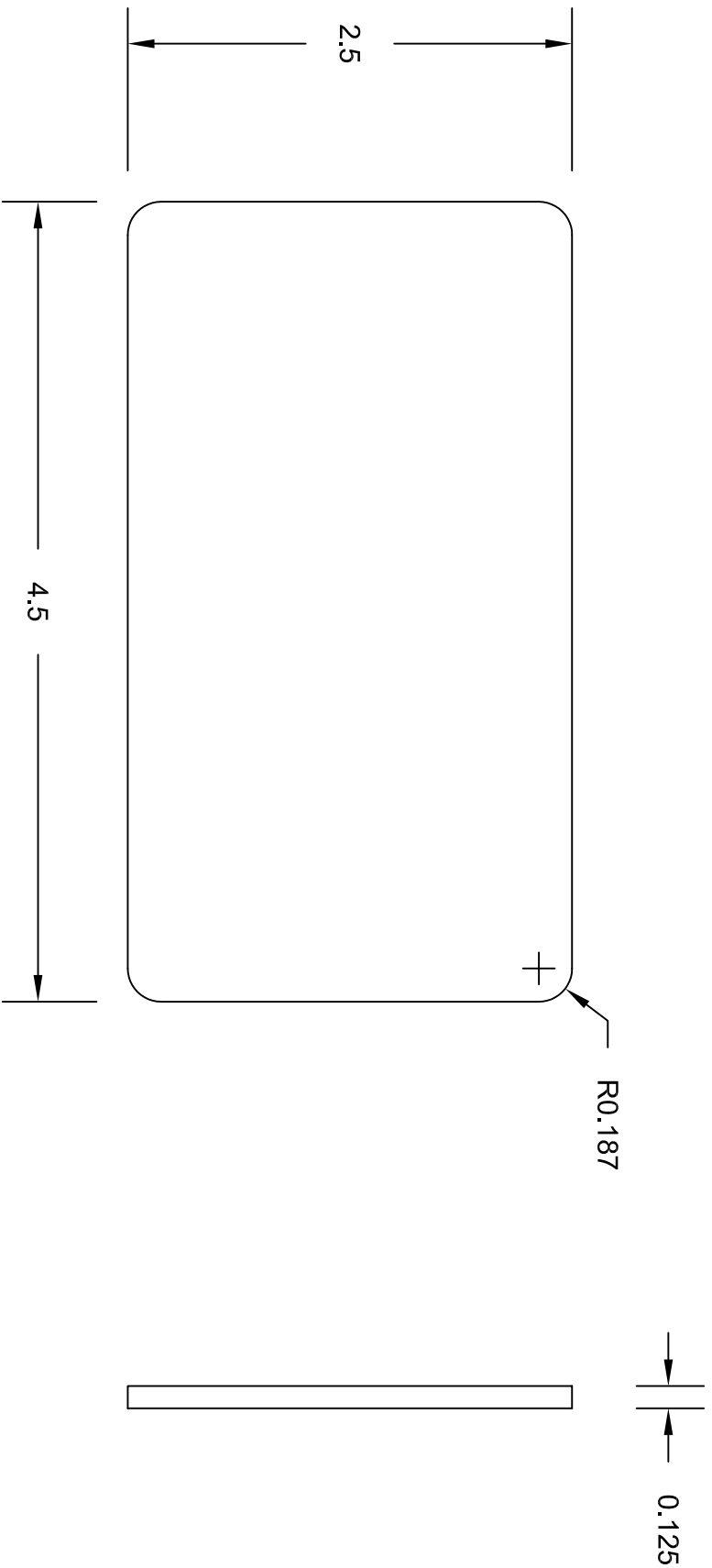
1) HOT DIP GALVANIZE AFTER FABRICATION

REF:	SCALE:	NUMBER
	NTS	1308082 - 2



MATERIAL - 2 x 4 x .120w STEEL TUBE x 3.0  
 1) DEBURR ALL SHARP EDGES OF 1 END

TOLERANCE		1901 Diplomat Drive	
.X = ±.030		Farmers Branch, Texas 75234	
.XX = ±.010		DRAWN	
.XXX = ±.005		Z.OSORIO	
FRACTIONAL = ± 1/32		CHECKED	
UNLESS OTHERWISE NOTED		APPROVED	
REV:	DATE:	TITLE	
REF:		SCALE: NUMBER	
		N.T.S. 1308082 - 3	



R0.187

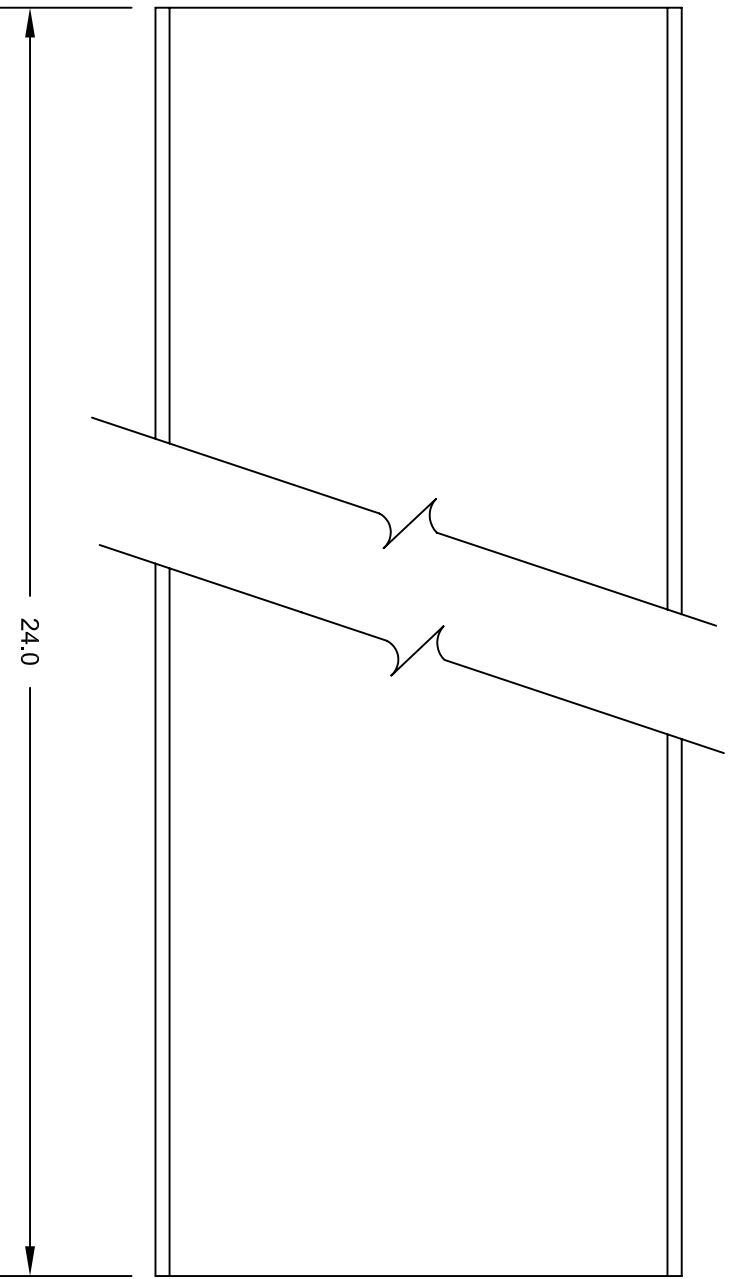
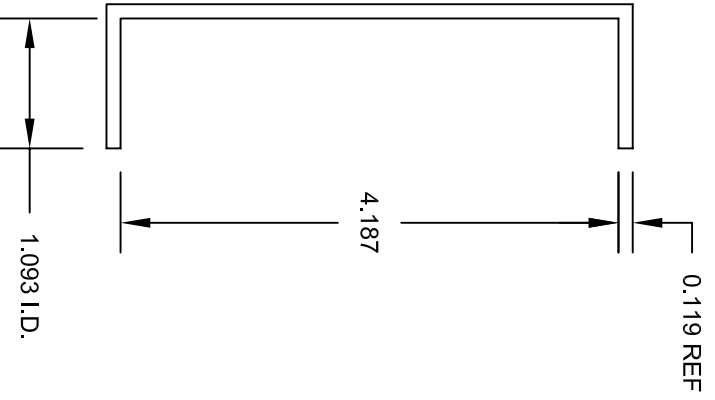
0.125

2.5

4.5

<p>TOLERANCE  .X = ±.030  .XX = ±.010  .XXX = ±.005  FRACTIONAL = ± 1/32  UNLESS OTHERWISE NOTED</p>		<p><b>SPURD</b>  <small>Engineering &amp; Construction</small></p>	
<p>1901 Diplomat Drive  Farmers Branch, Texas 75234</p>		<p>DRAWN  Z.OSORIO</p>	<p>7/10</p>
<p>REV: _____ DATE: _____</p>		<p>CHECKED</p>	
<p>REF: _____</p>		<p>APPROVED</p>	
<p>SCALE: N.T.S.</p>		<p>TITLE</p>	
<p>NUMBER</p>		<p>Z027254512</p>	

MATERIAL - 2.5 x 4.5 x .125 STEEL SHEET  
1) DEBURR ALL SHARP EDGES



- NOTES:
1. MAT'L: 11 GA (.1196) CF STEEL
  2. MINIMUM BEND RADIUS

<p>TOLERANCE</p> <p>.X = ±.030</p> <p>.XX = ±.010</p> <p>.XXX = ±.005</p> <p>FRACTIONAL = ± 1/32</p> <p>UNLESS OTHERWISE NOTED</p>		<p><b>SPRINT</b> Supply Group</p> <p>1901 Diplomat Drive Farmers Branch, Texas 75234</p>	
REV:	DATE:	DRAWN	S.MCCORMICK
		CHECKED	
		APPROVED	
TITLE		GROUND SLEEVE	
REF:	SCALE:	NUMBER	
	NTS	Z1472X4X24	