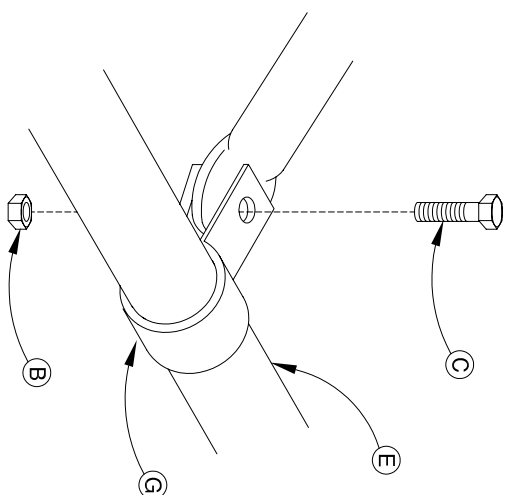
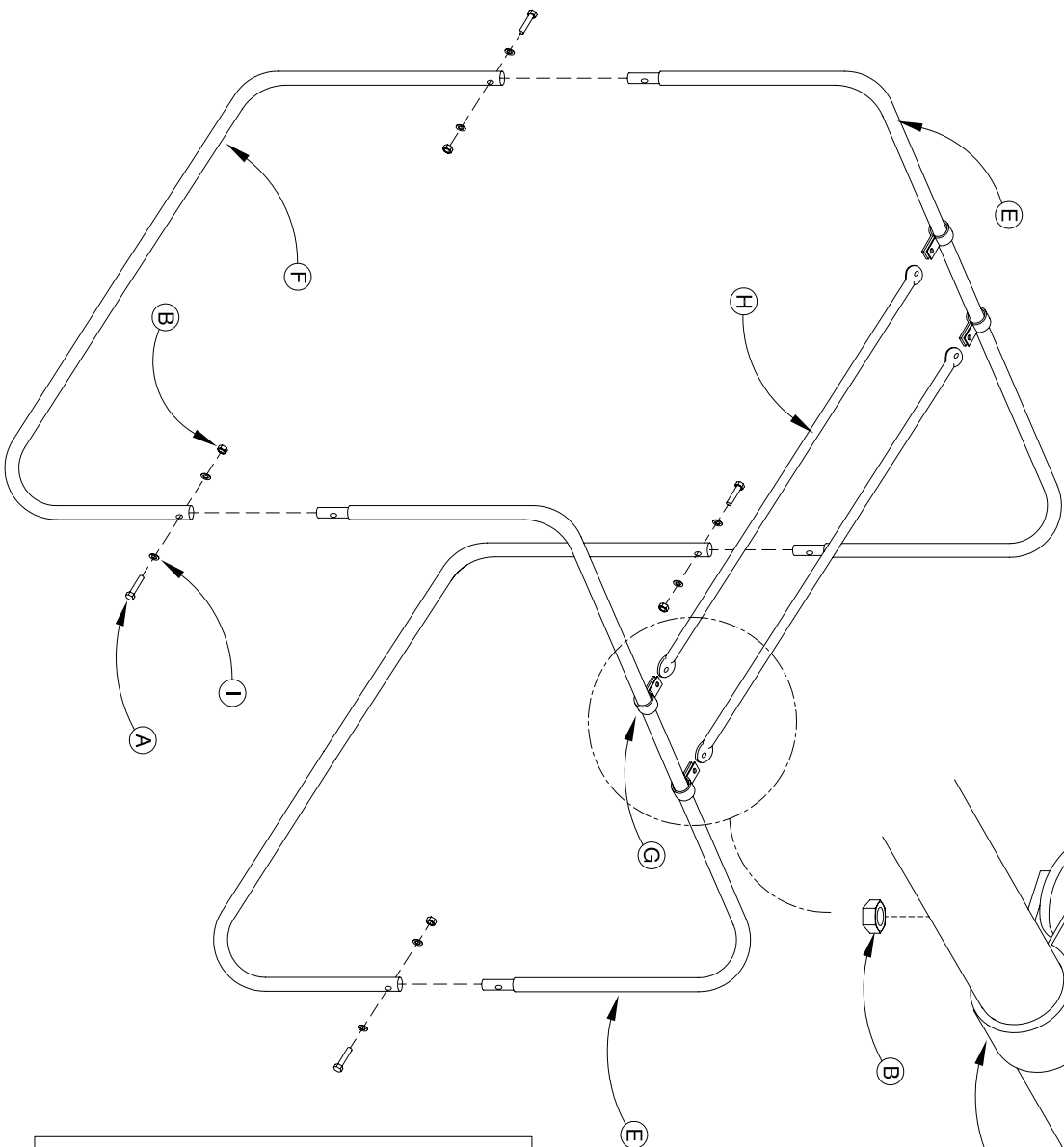


# VARSITY LINEMAN CHUTE



ITEM	DESCRIPTION	QTY
A	8M x 45 HEX BOLT	6 EA.
B	8M LOCK NUT	10 EA.
C	8M x 20 HEX BOLTS	4 EA.
D	DOUBLE CLAMPS	4 EA.
E	CROSSBAR	2 EA.
F	LEG	2 EA.
G	BRACE BAND	4 EA.
H	SUPPORT BAR	2 EA.
I	8M WASHER	8 EA.

— FOR EASIER ASSEMBLY, SLIDE BRACE BAND (ITEM G) ON CROSSBARS (ITEMS E) BEFORE CONNECTING CROSSBARS TO LEGS (ITEMS F).



\* WHEN ATTACHING MORE CHUTES TO EACH OTHER, USE THE DOUBLE CLAMPS (ITEM D) TO ATTACH THE LEGS TOGETHER.

